

**THE ART OF  
CONTROL**

Neuffener Strasse 29  
D-72636 Frickenhausen  
Tel: (+49) 7025 - 911 007  
Fax: (+49) 7025 - 911 008  
Email: info@h-c-s-gmbh.de  
www.h-c-s-gmbh.de



USB to RS232 Adaptor for usage on PC's  
either for DMA-2 with RJ45 connector or for  
DAC-4 with SUB-D connector

# USB-RS232-RJ45

# USB-RS232-DS9F

- ▶ Easy to use adaptor USB ↔ RS232
- ▶ Supported USB standard V2.0
- ▶ Universal usable for DAC-4 and DMA
- ▶ Also for other RS232 based products
- ▶ No RS232 required on PC
- ▶ No additional software required



## 1 Introduction

The USB to RS232 adaptor features leading edge technology. This electronic device meets the industrial standards for EMC. This ensures a high interference security and low interference emission.

## 2 Features

- The system features of the USB-RS232 adaptors are the following:
- Supported USB standard V2.0
- Universal usable for DAC-4 and DMA
- Also for other RS232 based products (make sure to have a proper connector)
- No RS232 required on PC

## 3 General applications

The USB to RS232 Adaptors are generally used for the following applications:

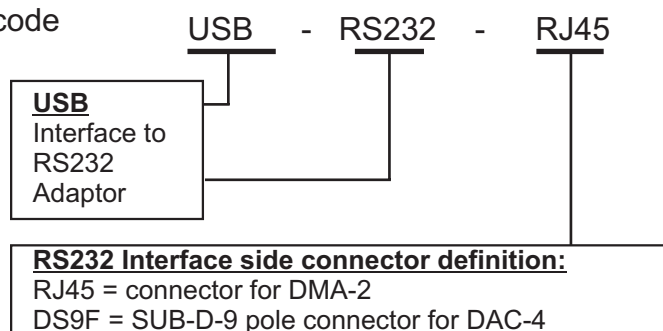
- To convert a USB interface into a RS232 interface
- To be used in order to establish a communication between a PC and either a DMA or a DAC amplifier unit
- To be used in conjunction with **HCSTool** or a terminal program

For industrial applications only.

## 4 Technical data

Parameters	Range, characteristics
PC interface	USB connector Type A
Supported USB standard	V 2.0
Driver	For Win7, Win10, Win11 systems, Windows system will provide the driver automatically. For older systems such as WinXP, the driver package "CDM 2.08.24 WHQL Certified 32_64bit.zip" is provided during the installation of the HCSTool (in the HCSTool path). This driver must be installed manually.
Cable length	1.8 meters
Connector device side	RJ45 8 pole (DMA-Version) Sub-D9 pole female (DAC version)
Housing dimensions	L x w x h = 45 x 20 x 12 mm
Housing material	PVC (grey-blue)
Protection	IP30

## 5 Ordering code



## 6 Our partners and distributors

<https://www.h-c-s-gmbh.de/en/sales-partners>

## **EC Declaration of Conformity in accordance with EMC Directive 2014/30/EU**

**HCS Hydraulic Control Systems GmbH  
Neuffener Str. 29  
D-72636 Frickenhausen**

Hereby declares that the product described as follows complies in terms of its design, as well as in the version placed in the stream of commerce by us, with the relevant requirements of the directive. This declaration is void in the event of any change to the product without our written agreement.

Product:	Interface and adapter cable USB to RS232
Intended use	Automation systems (industrial applications)
Model:	<b><u>USB-RS232-x</u></b>
Rated voltage:	5 V DC
Rated power:	max. 2.5 W
Protection class:	III
Relevant EU Directive:	EMC Directive 2014/30/EU
Applicable EU Standards:	EN 55032: 2015+AC: 2016 EN 55024: 2010+A1: 2015 EN 61000-3-2: 2014; EN 61000-3-3: 2015

Date/manufacturers signature

15.08.2022

Details of signatory:



Dipl.-Ing. (FH) Peter Deuschle (General Manager)